

M6G TEMPLATE



M6 PERSONAL DEFENSE WEAPON SYSTEM

The sidearms which fall into the M6 PDWS series represent, without a doubt, the most prominent handguns among all of the UNSC's Armed Forces, local law enforcement, and even human criminals. Developed and produced by Misriah Armory, the M6 series is a recoil-operated, magazine-fed selection of sidearms with an incredibly large array of variants and customizations, all of which are officially issued in three different finishes: hard chrome, black polymer, and electroless nickel.

TOOLS
 Scissors, Penknife, Glue, Ruler, Cutting Mat

ASSEMBLY INSTRUCTIONS

- Carefully cut out the parts.
- Make folds along the lines.
- Fold the folding lines before gluing.
- Assemble the parts in order shown by the numbers on the glue tabs. (If any.)
- Attach the parts in order.
- Your paper craft model is finished!

EXPLANATION OF SYMBOLS

- Triangle glue tabs
Glue the parts together in any order.
- Circle Numbered glue tabs
These tabs are to be glued onto the matching parts of the same symbol and number.
- Blue Dotted Lines
Cut along these lines with a pen knife.
- Grey Dotted Lines
Paste the parts indicated along these lines.

CAUTION!
 Be careful not to cut your fingers when using scissors and pen knife.
 Keep glue away from young children.

M6G STRUCTURE

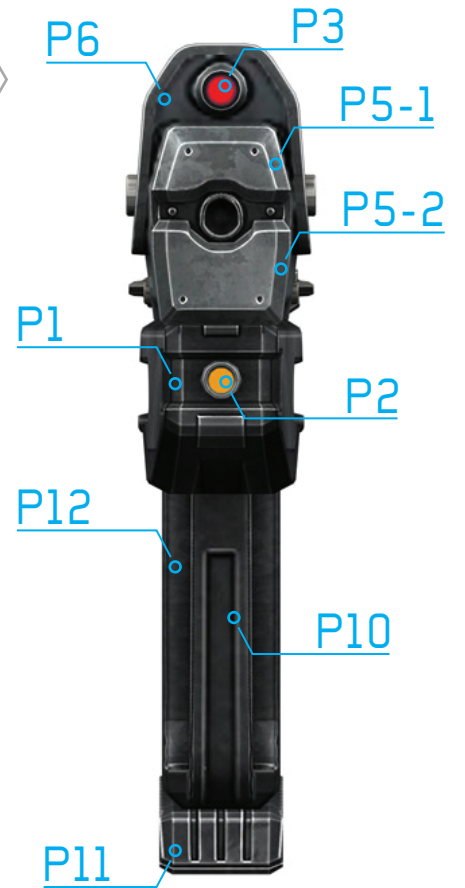
PROFILE



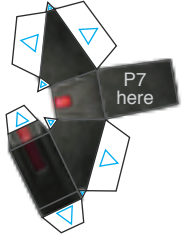
BACK



FRONT



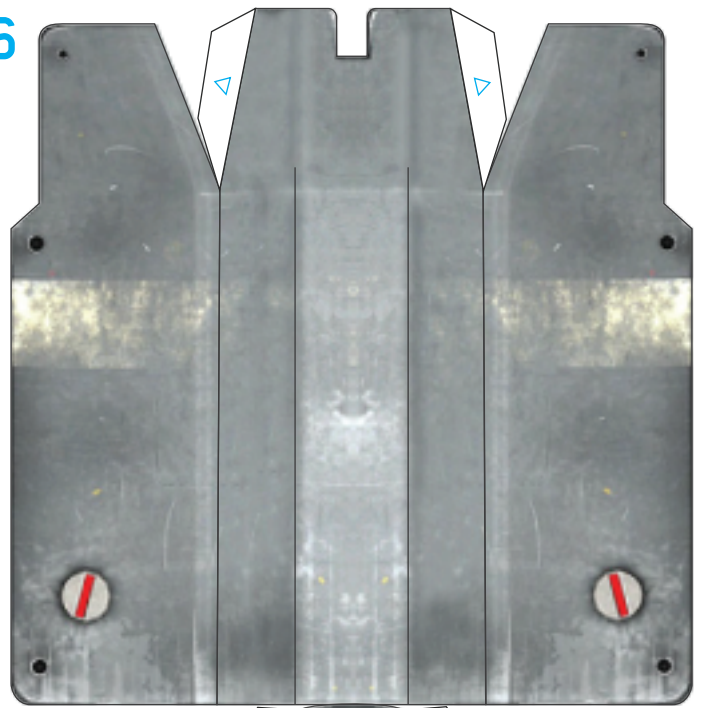
P8



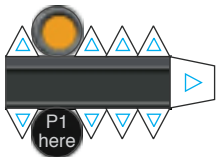
P1



P6

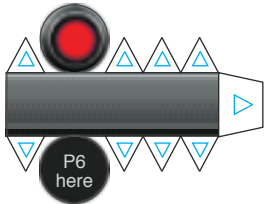


P2

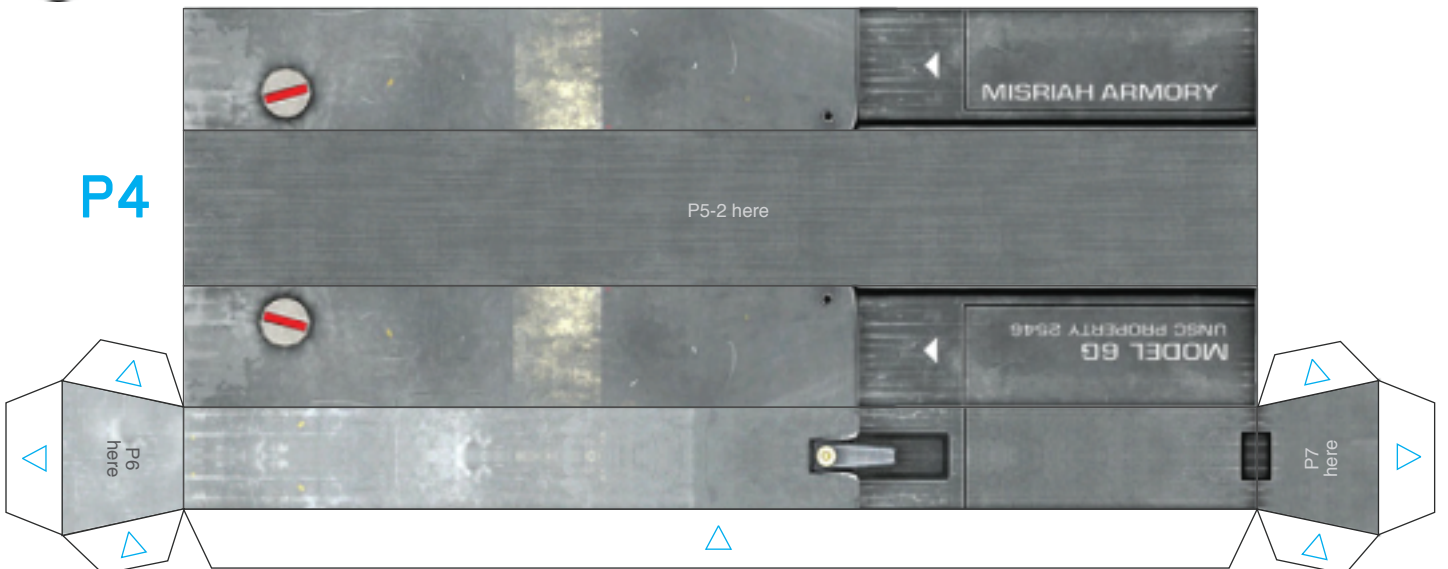


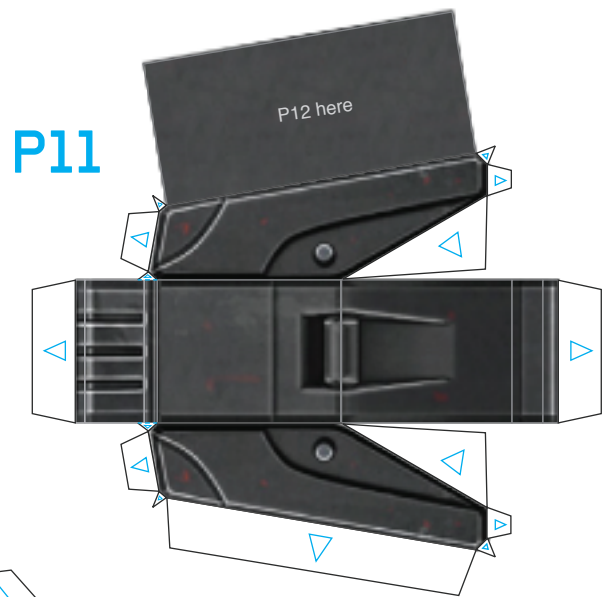
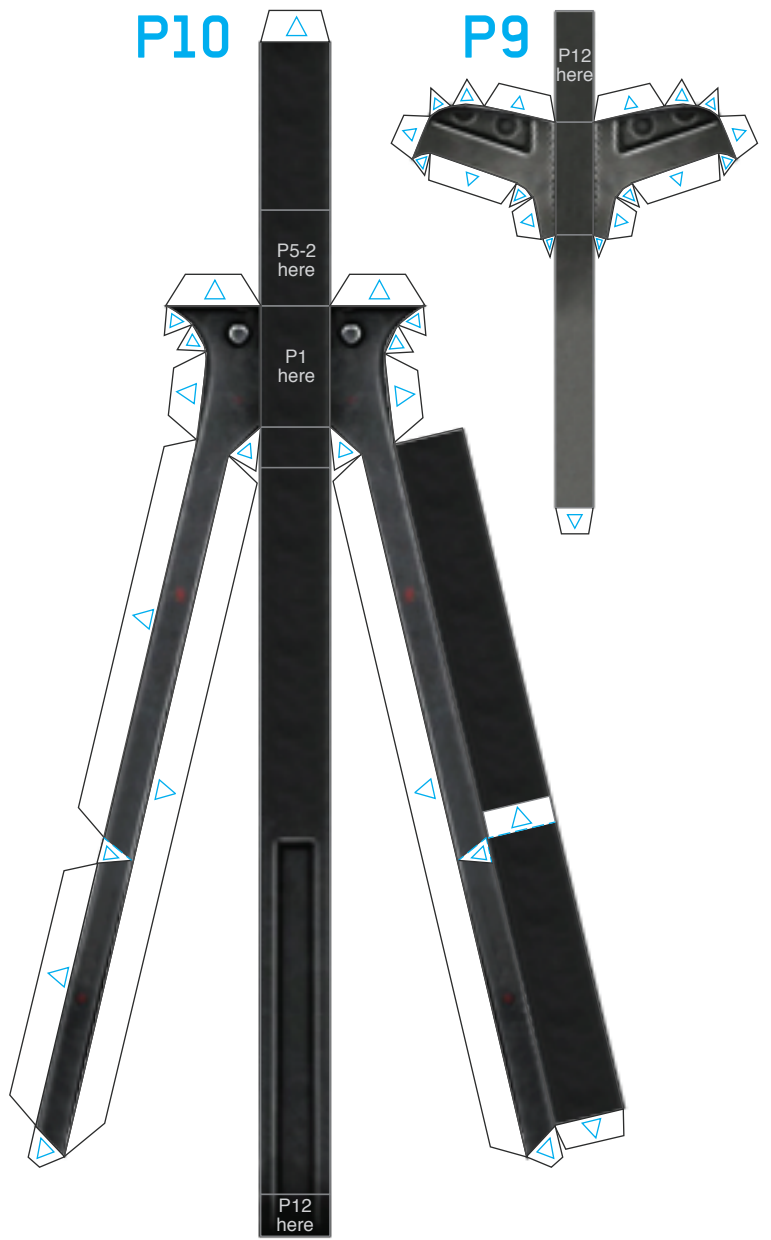
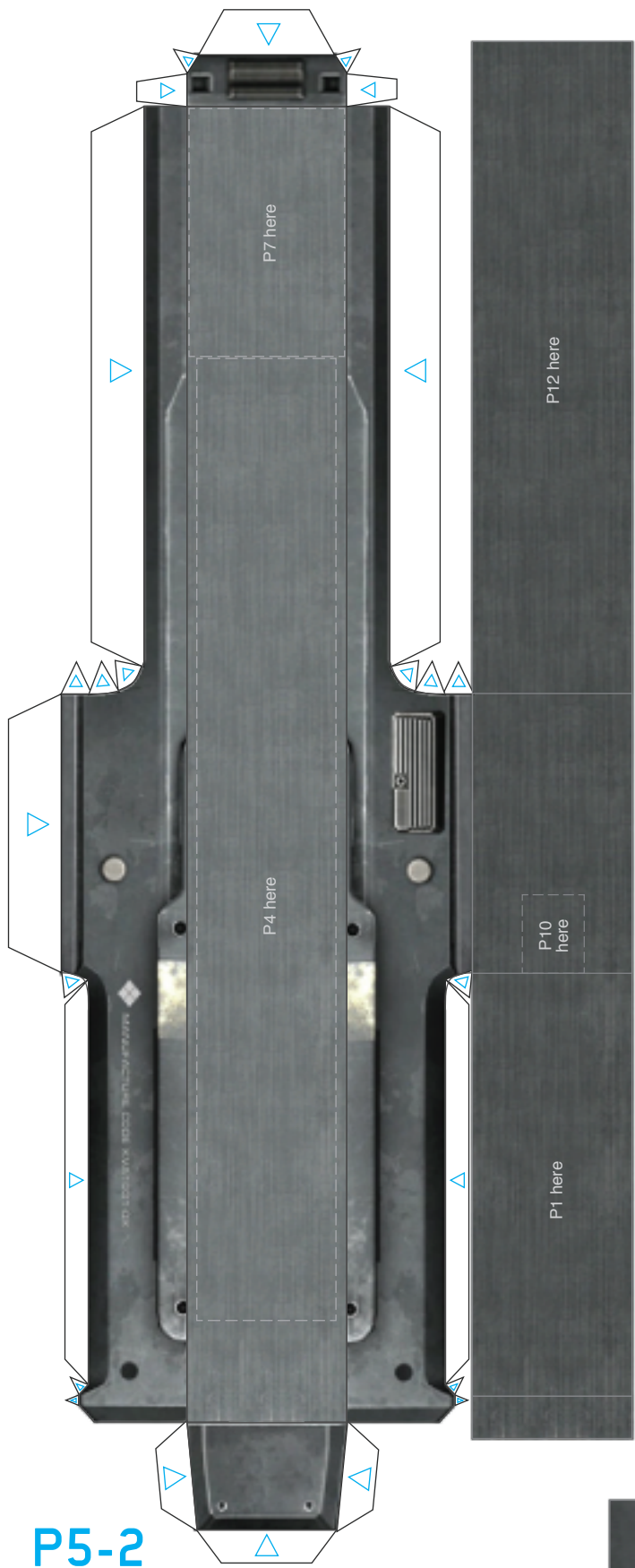
P7

P3



P4





P12

